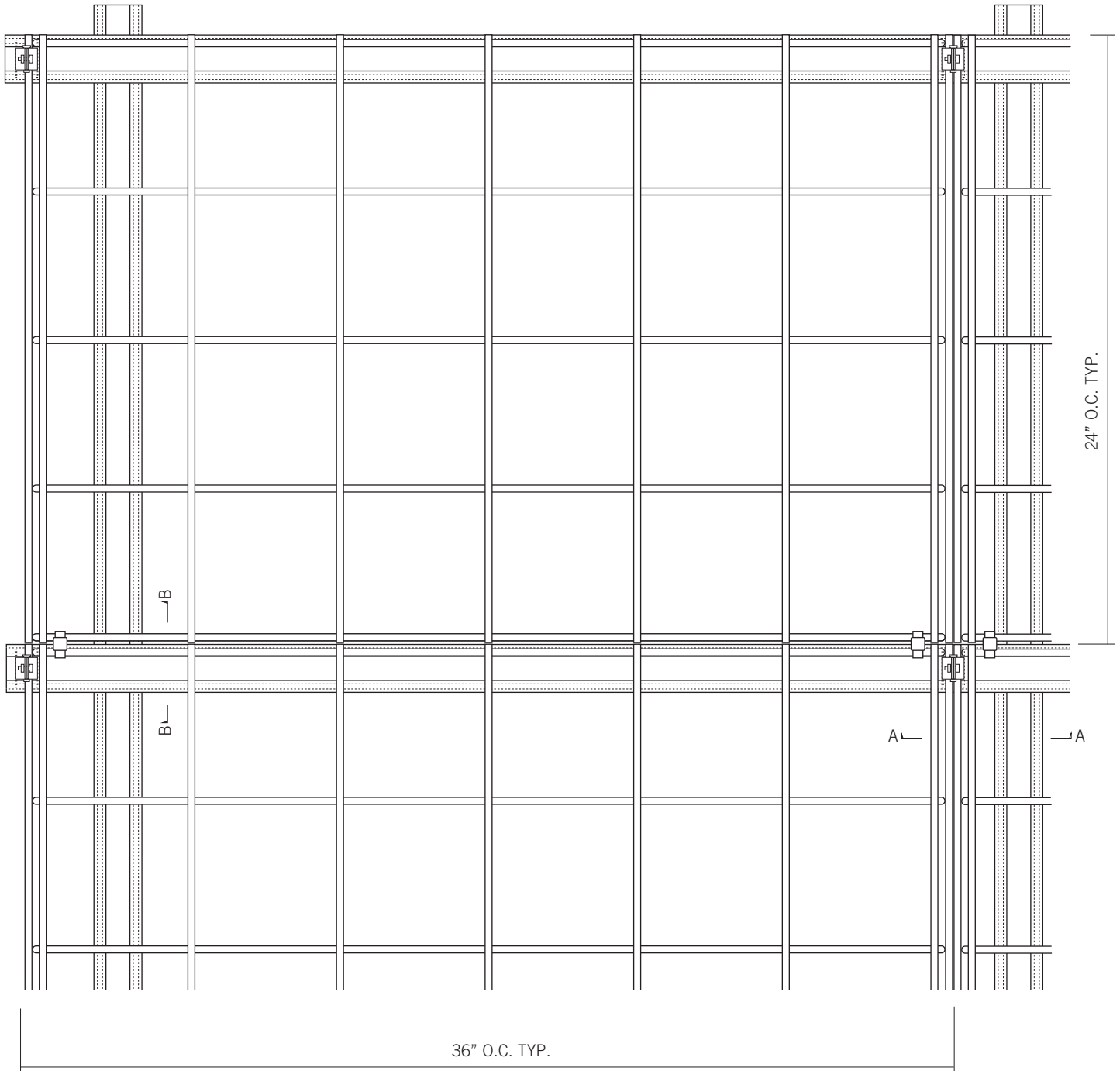


**ELEVATION**

VERTICAL STRUT SUPPORTS  
36" O.C. TYP.

FRONT VIEW



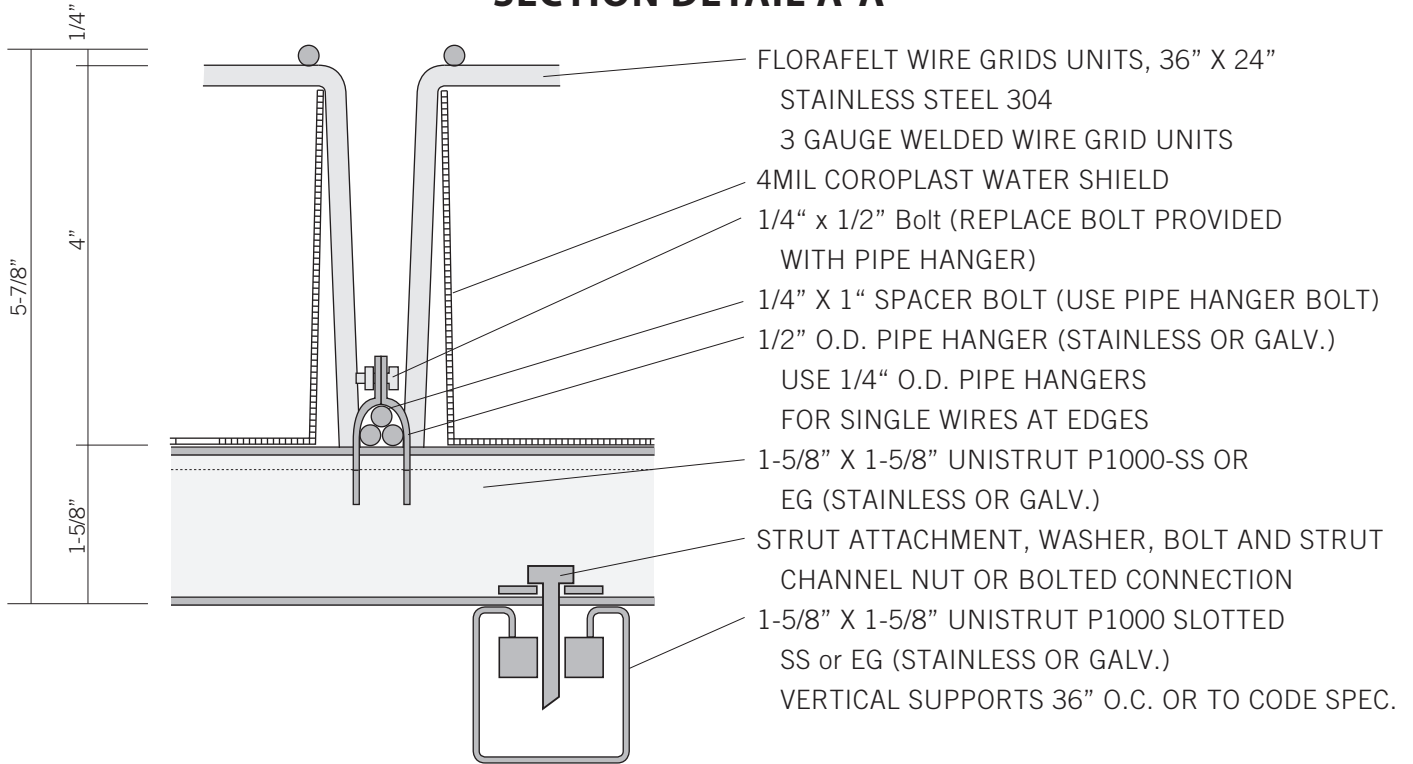
DESIGNS ARE FOR SUGGESTED USE ONLY  
LOCAL BUILDING CODES MAY APPLY

©2020 Plants On Walls / Florafelt Living Wall Systems

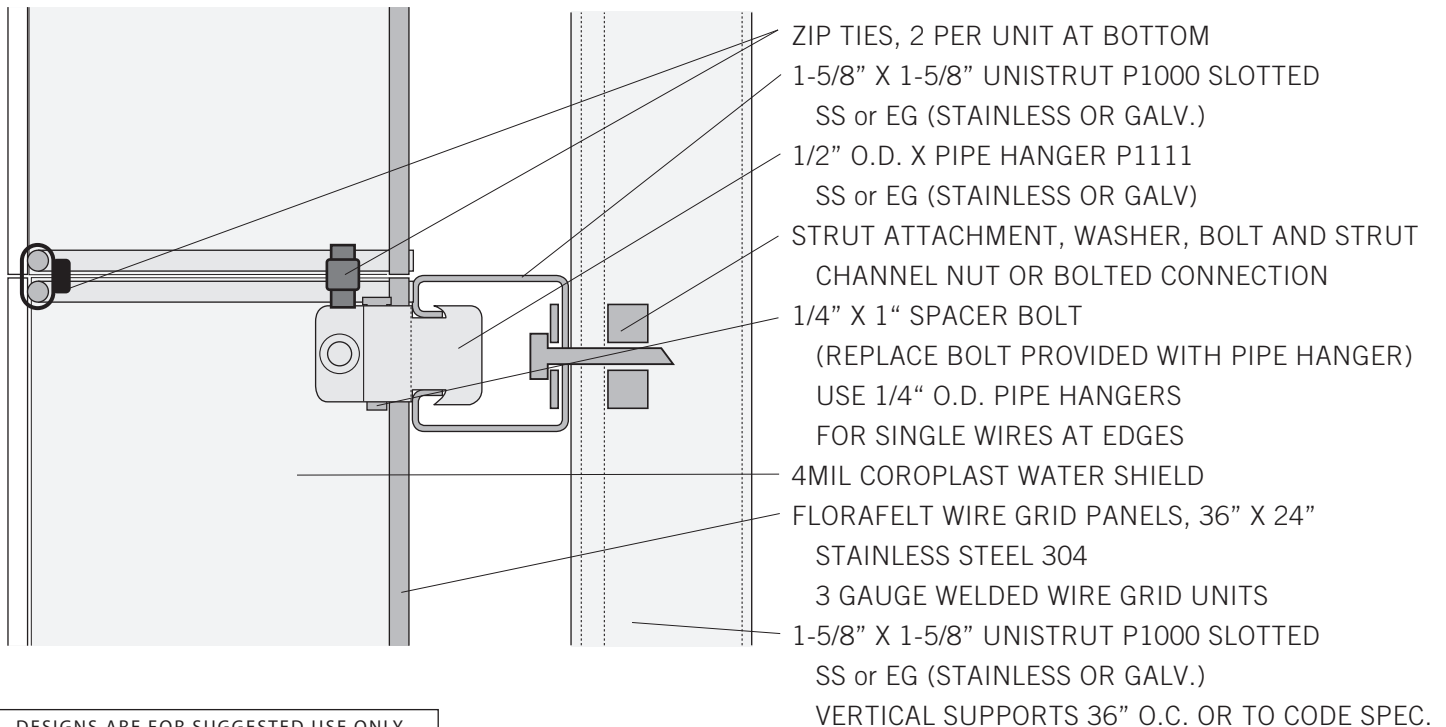
LIABILITY STATEMENT: Florafelt and/or Plants On Walls is not responsible or liable for care and maintenance of plants used in our Florafelt living wall panels, Florafelt living wall systems, Root Wrappers or any other products or services. Florafelt and/or Plants On Walls is not responsible or liable for water damage to interior or exterior of buildings, homes, or finishes due to misuse or accidental moisture dripping from plants, lack of maintenance of watering systems, or for any reason for moisture damage or loss due to damages of any kind. It is up to the purchaser to properly protect all surfaces from water exposure or overflow by providing water catchment drain trays and/or vapor barriers to areas of potential damage. It is the responsibility of the property owner to get all applicable permits and comply with local building codes. We recommend the hiring of qualified landscape maintenance professionals to assist with plant selection, planting, watering, feeding, pest control, lighting, and general maintenance to assure optimal health for the living wall. Plants On Walls / Florafelt is not responsible and to be held harmless to damage to buildings, water leakage, loss of plants, bodily harm, or any accidental damages of any kind. ©2015 Plants On Walls / Florafelt Corporation. U.S. and International Patents. Made in USA.

# FLORAFELT PRO SYSTEM WIRE GRID STRUT SUPPORT DETAILS

## SECTION DETAIL A-A



## SECTION DETAIL B-B



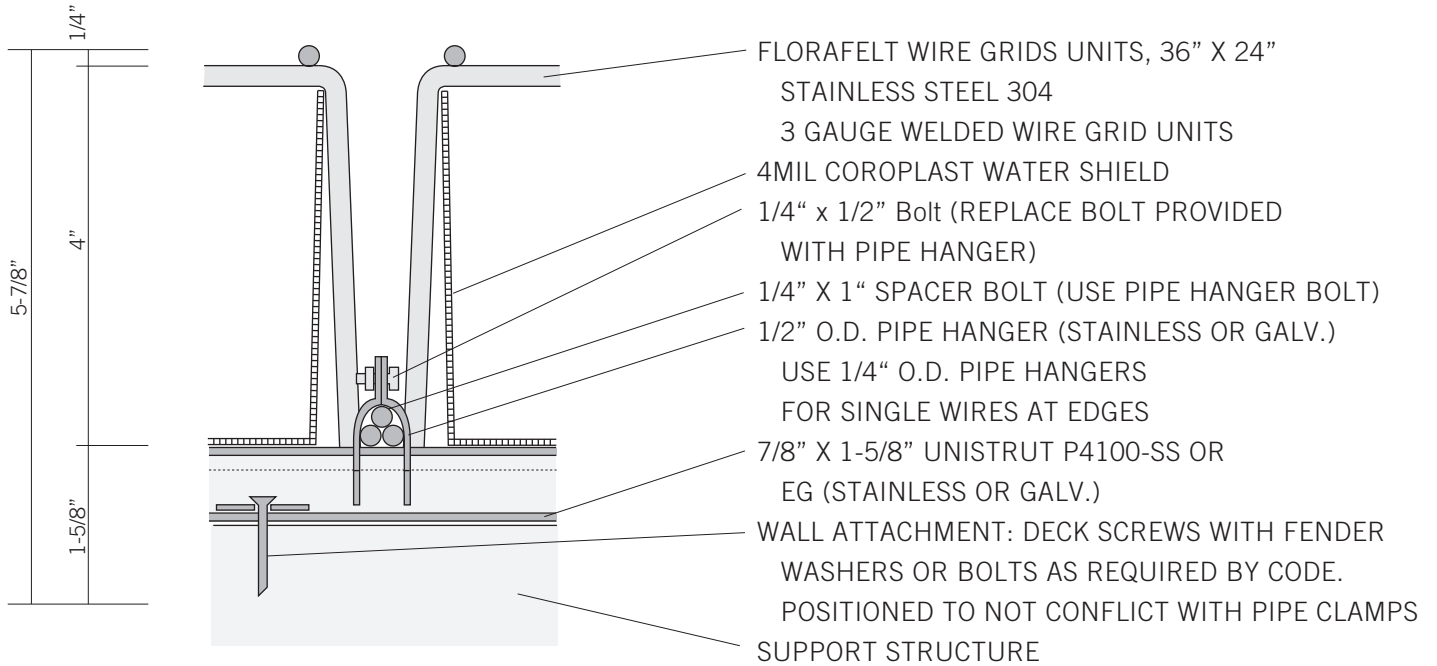
DESIGNS ARE FOR SUGGESTED USE ONLY  
LOCAL BUILDING CODES MAY APPLY

©2020 Plants On Walls / Florafelt Living Wall Systems

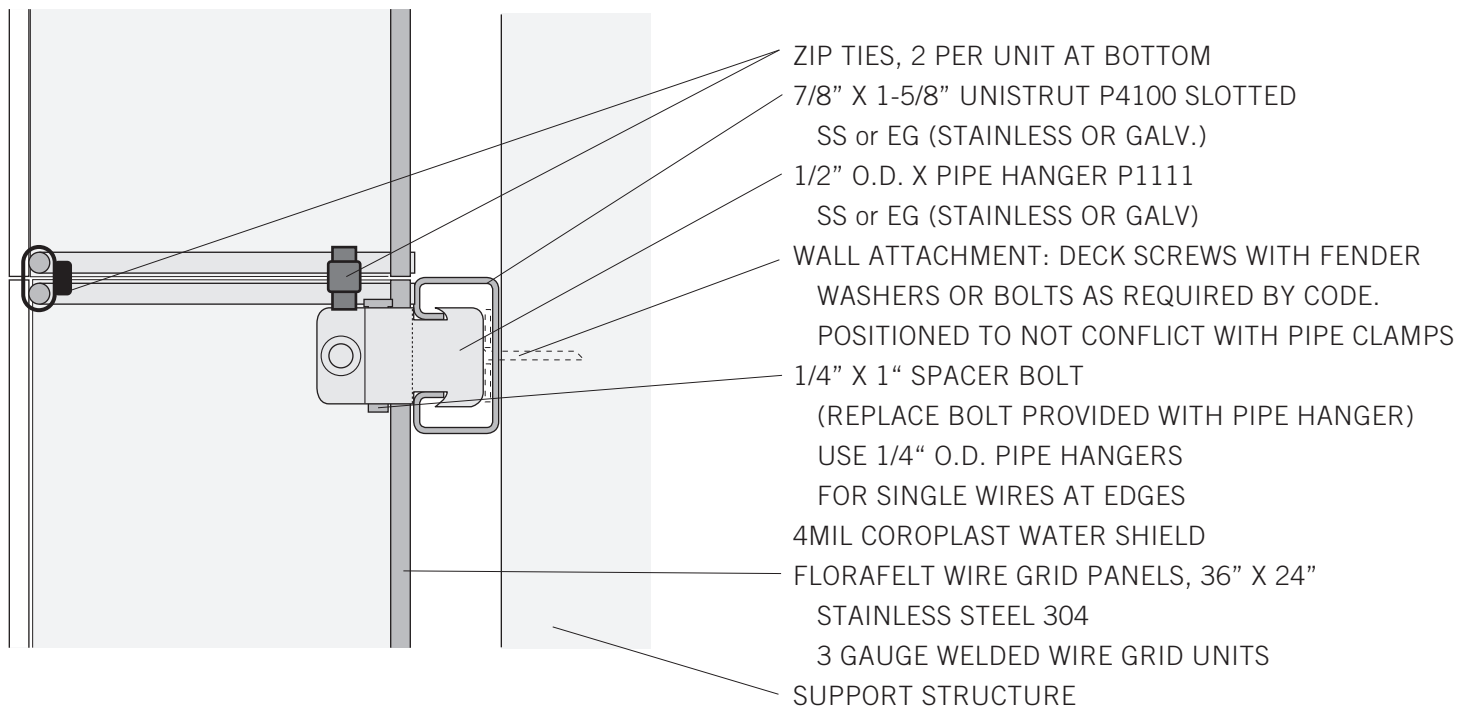
**LIABILITY STATEMENT:** Florafelt and/or Plants On Walls is not responsible or liable for care and maintenance of plants used in our Florafelt living wall panels, Florafelt living wall systems, Root Wrappers or any other products or services. Florafelt and/or Plants On Walls is not responsible or liable for water damage to interior or exterior of buildings, homes, or finishes due to misuse or accidental moisture dripping from plants, lack of maintenance of watering systems, or for any reason for moisture damage or loss due to damages of any kind. It is up to the purchaser to properly protect all surfaces from water exposure or overflow by providing water catchment drain trays and/or vapor barriers to areas of potential damage. It is the responsibility of the property owner to get all applicable permits and comply with local building codes. We recommend the hiring of qualified landscape maintenance professionals to assist with plant selection, planting, watering, feeding, pest control, lighting, and general maintenance to assure optimal health for the living wall. Plants On Walls / Florafelt is not responsible and to be held harmless to damage to buildings, water leakage, loss of plants, bodily harm, or any accidental damages of any kind. ©2015 Plants On Walls / Florafelt Corporation. U.S. and International Patents. Made in USA.

# FLORAFELT PRO SYSTEM WIRE GRID WALL SUPPORT DETAILS

## SECTION DETAIL A-A



## SECTION DETAIL B-B



DESIGNS ARE FOR SUGGESTED USE ONLY  
LOCAL BUILDING CODES MAY APPLY

©2020 Plants On Walls / Florafelt Living Wall Systems

LIABILITY STATEMENT: Florafelt and/or Plants On Walls is not responsible or liable for care and maintenance of plants used in our Florafelt living wall panels, Florafelt living wall systems, Root Wrappers or any other products or services. Florafelt and/or Plants On Walls is not responsible or liable for water damage to interior or exterior of buildings, homes, or finishes due to misuse or accidental moisture dripping from plants, lack of maintenance of watering systems, or for any reason for moisture damage or loss due to damages of any kind. It is up to the purchaser to properly protect all surfaces from water exposure or overflow by providing water catchment drain trays and/or vapor barriers to areas of potential damage. It is the responsibility of the property owner to get all applicable permits and comply with local building codes. We recommend the hiring of qualified landscape maintenance professionals to assist with plant selection, planting, watering, feeding, pest control, lighting, and general maintenance to assure optimal health for the living wall. Plants On Walls / Florafelt is not responsible and to be held harmless to damage to buildings, water leakage, loss of plants, bodily harm, or any accidental damages of any kind. ©2015 Plants On Walls / Florafelt Corporation. U.S. and International Patents. Made in USA.



# FLORAFELT PRO SYSTEM DESIGN LOAD WEIGHTS

## WEIGHTS TYPICAL

### FLORAFELT / WIRE GRID / UNISTRUT WEIGHTS ESTIMATED CALCULATIONS

#### TOTAL PLANTED SYSTEM AND HORIZONTAL STRUCTURE WEIGHT / SF

FLORAFELT PRO SYSTEM FELTED UNIT: 2.1 LBS/SF

WRAPPED PLANTS: 4-8 LBS/SF

HORIZONTAL STRUCTURE: .88 LBS/SF

**MAX TOTAL NOT INCLUDING VERTICAL SUPPORTS: 11 LBS/SF**

#### SYSTEM ONLY

3' X 2' 6X6X1/4 SS FOLDED S.S. WIRE GRID WITH FELT AND WATER BARRIER. 12.4 LBS

- 12.4 / 6 SF = 2.1 LBS / SF

#### WRAPPED PLANTS ONLY

WRAPPED PLANTS 6" POTTED IN 16" FLORAFELT ROOT WRAPPER SOME SOIL REMOVED:

1-2 LBS EACH (4 PER /SF)

- 4 - 8 LBS/SF

#### HORIZONTAL STRUCTURE ONLY

HORIZONTAL 1-5/8" X 1-5/8" UNISTRUT SS 24" O.C. 10' PIECE = 17.6 LBS

- 3' SECTION PER 3'X2' PANEL = 5.28 LBS

- 5.28 LBS / 6 SF = .88 LBS /SF

#### VERTICAL SUPPORT

- VARIES BY PROJECT

DESIGNS ARE FOR SUGGESTED USE ONLY  
LOCAL BUILDING CODES MAY APPLY

LIABILITY STATEMENT: Florafelt and/or Plants On Walls is not responsible or liable for care and maintenance of plants used in our Florafelt living wall panels, Florafelt living wall systems, Root Wrappers or any other products or services. Florafelt and/or Plants On Walls is not responsible or liable for water damage to interior or exterior of buildings, homes, or finishes due to misuse or accidental moisture dripping from plants, lack of maintenance of watering systems, or for any reason for moisture damage or loss due to damages of any kind. It is up to the purchaser to properly protect all surfaces from water exposure or overflow by providing water catchment drain trays and/or vapor barriers to areas of potential damage. It is the responsibility of the property owner to get all applicable permits and comply with local building codes. We recommend the hiring of qualified landscape maintenance professionals to assist with plant selection, planting, watering, feeding, pest control, lighting, and general maintenance to assure optimal health for the living wall. Plants On Walls / Florafelt is not responsible and to be held harmless to damage to buildings, water leakage, loss of plants, bodily harm, or any accidental damages of any kind. ©2015 Plants On Walls / Florafelt Corporation. U.S. and International Patents. Made in USA.