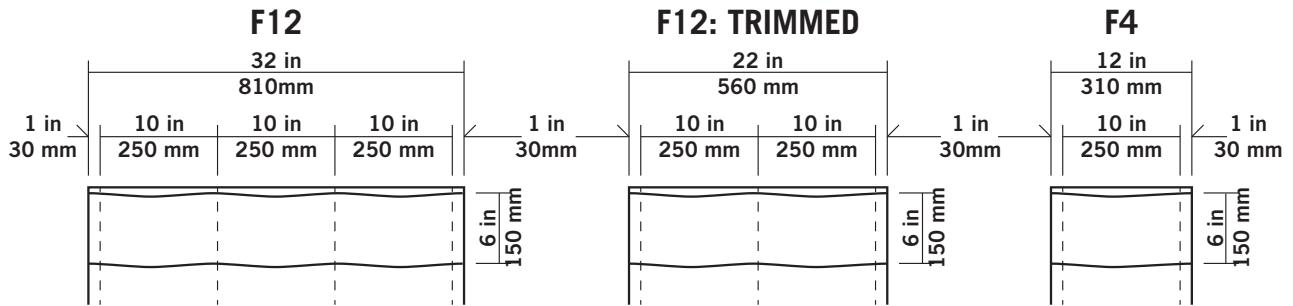


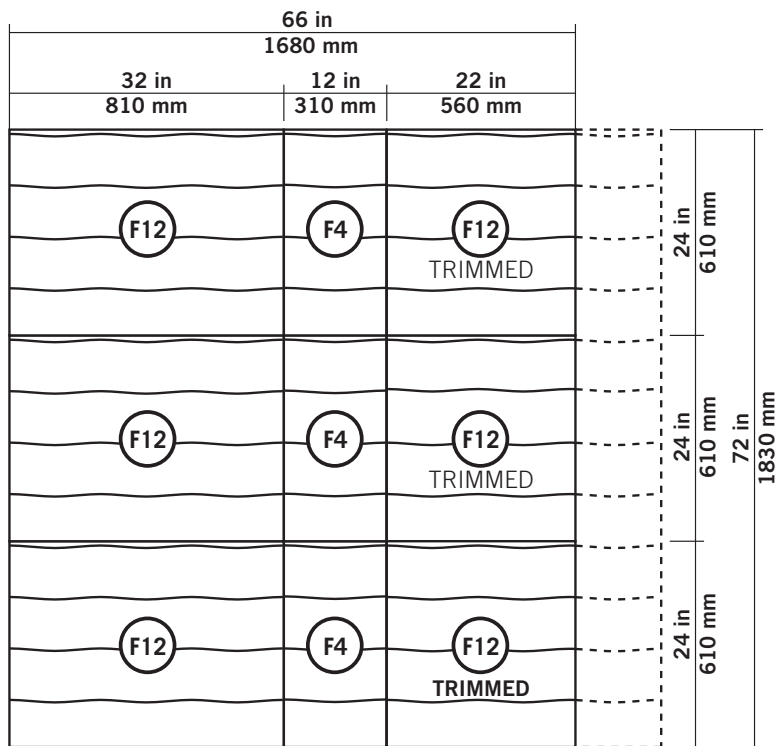
US PATENT 8141294 - MADE IN THE USA



Florafelt vertical garden planters come in standard sizes that can be tiled to exact specifications to closely fit any width. The panels can also be trimmed for custom sizes. Our standard pocket size is 10 in wide x 6 in high (.254 m x .152 m). Allow an additional 1 in (.025 m) to each side for attachment staples.

TILE PANELS TO CREATE CUSTOM SIZES

Use combinations of the panels to create custom sizes as in the example below.



CREATE FREEFORM SIZES AND SHAPES

- Panels can also be cut at curves and angles
- To re-attach felt pockets at the edges use black zip ties every 2 inches
- If required use a small soldering iron to melt holes

TRIM USING A UTILITY KNIFE AND SHARP SCISSORS

Florafelt Vertical Garden Planters can be cut with a utility knife and sharp scissors:

- Place panel felt side down
- Use a straight edge and utility knife to cut plastic backing board
- Do not cut within 1 inch of attachment staples
- Trim felt using sharp scissors or multiple cuts with a utility knife

TRIM PANELS VERTICALLY

Panels can also be trimmed vertically every 6 in (.125 m) to create more custom sizes.

