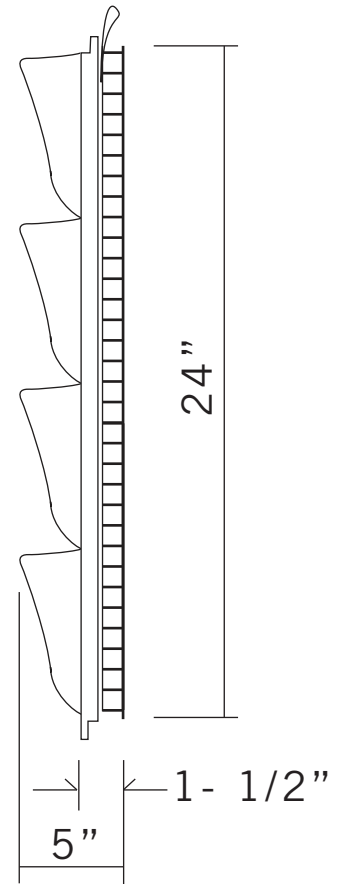
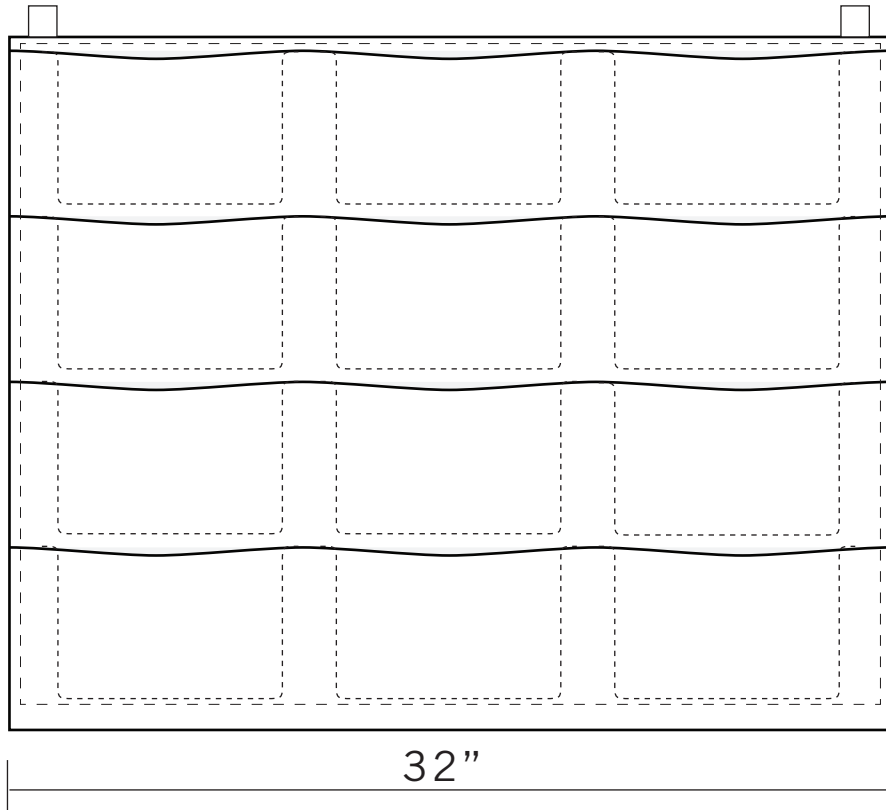


FLORAFELT
VERTICAL GARDEN PLANTERS

F12 PRODUCT SPECIFICATIONS

F12 FULL-POCKET PLANTER EACH POCKET 10"W X 6"H X 3" D



MATERIALS CONTENT

- MADE FROM RECYCLED AND RECYCLEABLE NON-TOXIC PLASTICS
- UV RESISTANT
- WILL NOT DECAY

FELT POCKETS

High tensile strength and resiliency. Superior thermal insulation and acoustical properties (0.66 noise reduction coefficient) - Will not break down or bottom out - Hypo-allergenic - moth-proof; mildew and odor-resistant - contains no irritants or carcinogens. - lightweight and formable. Passes FMVSS 302.

BACKING BOARD

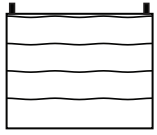
The backing board is a sturdy plastic sheeting extruded from polyethylene (HDPE). Its fluted ribs support both surfaces, making it lightweight, tough and abuse resistant. Additionally, it is both chemical and water resistant, and recyclable.



Plants On Walls

VERTICAL GARDENS

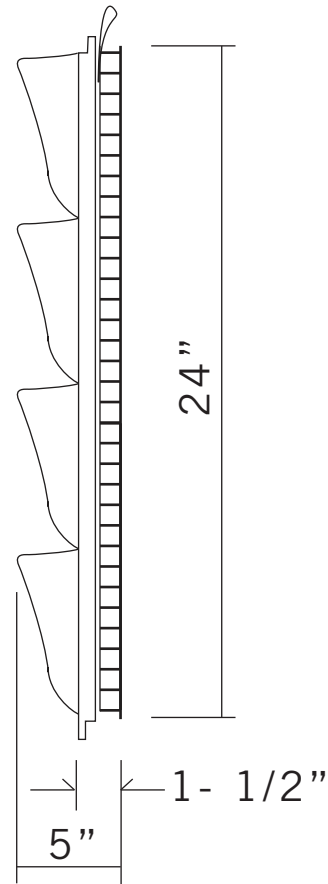
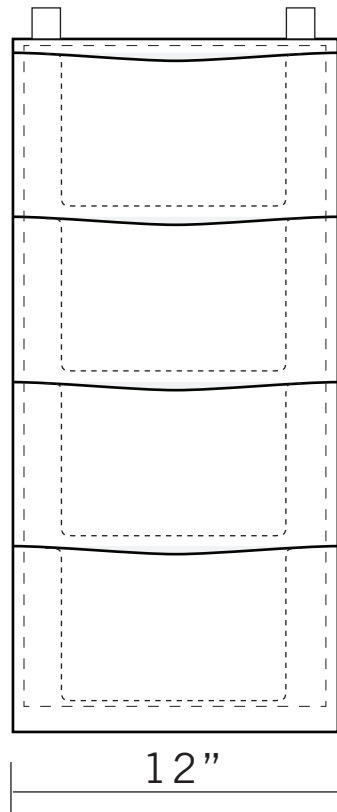
1190 BRYANT STREET - SAN FRANCISCO - CALIFORNIA - 94103 - 1.415.658.5498 - INFO@PLANTSONWALLS.COM



FLORAFELT
VERTICAL GARDEN PLANTERS

F4 PRODUCT SPECIFICATIONS

F4 FULL-POCKET PLANTER EACH POCKET 10"W X 6"H X 3" D



MATERIALS CONTENT

- MADE FROM RECYCLED AND RECYCLEABLE NON-TOXIC PLASTICS
- UV RESISTANT
- WILL NOT DECAY

FELT POCKETS

High tensile strength and resiliency. Superior thermal insulation and acoustical properties (0.66 noise reduction coefficient) - Will not break down or bottom out - Hypo-allergenic - moth-proof; mildew and odor-resistant - contains no irritants or carcinogens. - lightweight and formable. Passes FMVSS 302.

BACKING BOARD

The backing board is a sturdy plastic sheeting extruded from polyethylene (HDPE). Its fluted ribs support both surfaces, making it lightweight, tough and abuse resistant. Additionally, it is both chemical and water resistant, and recyclable.